



The Signature of Quality®

FEDERAL INDUSTRIES

A Standex Company
215 Federal Avenue
Belleville, WI 53508-9201

Phone: 800-356-4206
Fax: 608-424-3234
Email: geninfo@federalind.com
Website: www.federalind.com

Project Name: _____

Item #: _____

Model #: _____ Qty: _____

Approval: _____

AIA#

SIS#

HIGH VOLUME NON-REFRIGERATED BAKERY CASE

Display more product and serve more customers with presentation and value in mind. Designed for continuous case line-ups without middle end glass.



| MODEL | DIMENSIONS (Includes End Panels) |
|----------------------------------|---|
| <input type="checkbox"/> SGD3642 | 36.13 x 35.31 x 42 (in) 918 x 897 x 1067 (mm) |
| <input type="checkbox"/> SGD5042 | 50.13 x 35.31 x 42 (in) 1273 x 897 x 1067 (mm) |
| <input type="checkbox"/> SGD5942 | 59.13 x 35.31 x 42 (in) 1502 x 897 x 1067 (mm) |
| <input type="checkbox"/> SGD7742 | 77.13 x 35.31 x 42 (in) 1959 x 897 x 1067 (mm) |
| <input type="checkbox"/> SGD3148 | 31.13 x 35.31 x 48 (in) 791 x 897 x 1219 (mm) |
| <input type="checkbox"/> SGD3648 | 36.13 x 35.31 x 48 (in) 918 x 897 x 1219 (mm) |
| <input type="checkbox"/> SGD5048 | 50.13 x 35.31 x 48 (in) 1273 x 897 x 1219 (mm) |
| <input type="checkbox"/> SGD5948 | 59.13 x 35.31 x 48 (in) 1502 x 897 x 1219 (mm) |
| <input type="checkbox"/> SGD7748 | 77.13 x 35.31 x 48 (in) 1959 x 897 x 1219 (mm) |

STANDARD FEATURES

Model Features

- Tempered tilt-out front glass for easy cleaning. Front glass is sloped for high visual product display.
- Tempered glass top, ends, and doors.
- Removable sliding rear doors, shelf lights, shelf supports, and shelves.
- 31" and 36" have two swing doors.
- Steel base construction with a choice of six standard laminates on base. Other finishes optional.
- Scratch-resistant, corrosion-proof white vented display deck.
- Designed for continuous line-ups.
- Black trim.
- Adjustable Leg Levelers

Shelving

- Adjustable white wire shelves. Shelves are adjustable up and down and can also be tilted in three positions. 48" models have three tiers of shelves; 42" models have two tiers of shelves.

Lighting

- LED top light and shelf lights.

Agency Approvals

- UL Safety and UL Sanitation listed
- DOE 2017 Compliant.

OPTIONAL ACCESSORIES

- Special Base Finish
- Glass Shelves
- Rear Wrapping Board
- Cord & Plug
- Fan Kit
- Black, Gold, or Chrome Wire Shelves
- Reflective Ends
- White or Mirrored Interior Ends with Laminated Exterior
- Reflective Rear Doors
- Casters/Cord & Plug Included
- Legs
- Top Cutting Board, White
- Package Shelf
- Light Below Package Shelf
- Front Glass and Rear Door Locks
- Joining Kit for Continuous Line-ups



WARRANTY*
One year Parts and Labor
2nd thru 5th year part
only service compressor
(U.S.A and Canada)

Note: Information is subject to change at any time.
Visit www.federalind.com for the most current specs.

AIA#

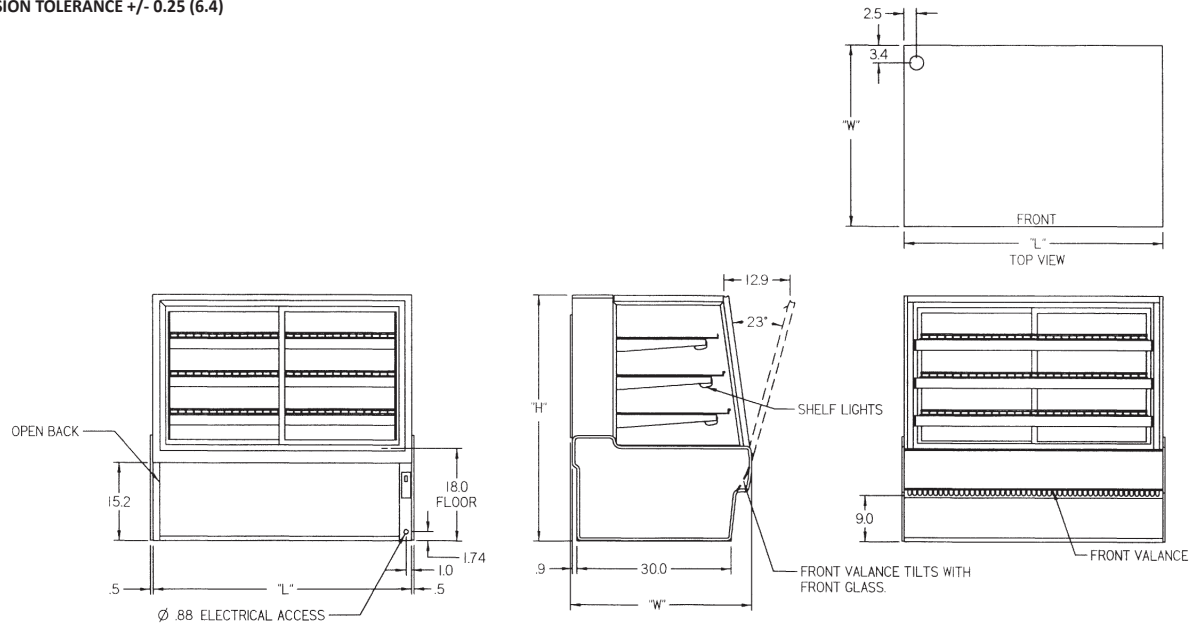
HIGH VOLUME NON-REFRIGERATED BAKERY CASE

SIS#

Product Specifications

DIMENSION: xx"/(mm)

DIMENSION TOLERANCE +/- 0.25 (6.4)



| MODEL | DIMENSIONS | | | | SHIPPING WHT | | CAPACITY (BAKERY PAN) | ELECTRICAL 120/60/1 |
|---------|------------|-------|------|-------|--------------|------|------------------------------|------------------------|
| | L | D | H1 | UNITS | LBS | KILO | | |
| SGD3148 | 31.13 | 35.31 | 48 | in. | 270 | 122 | 4 (18" X 26") & 4 (9" X 26") | 1.5 AMPS |
| | 791 | 897 | 1219 | mm. | | | | |
| SGD3642 | 36.13 | 35.31 | 42 | in. | 385 | 175 | 3 (18" X 26") & 3 (9" X 26") | 1.5 AMPS |
| | 918 | 897 | 1067 | mm. | | | | |
| SGD3648 | 36.13 | 35.31 | 48 | in. | 400 | 181 | 4 (18" X 26") & 4 (9" X 26") | 1.5 AMPS |
| | 918 | 897 | 1219 | mm. | | | | |
| SGD5042 | 50.13 | 35.31 | 42 | in. | 425 | 193 | 6 (18" X 26") & 3 (9" X 26") | 1.5 AMPS |
| | 1273 | 897 | 1067 | mm. | | | | |
| SGD5048 | 50.13 | 35.31 | 48 | in. | 480 | 218 | 8 (18" X 26") & 4 (9" X 26") | 1.5 AMPS |
| | 1273 | 897 | 1219 | mm. | | | | |
| SGD5942 | 59.13 | 35.31 | 42 | in. | 505 | 229 | 9 (18" X 26") | 1.5 AMPS |
| | 1502 | 897 | 1067 | mm. | | | | |
| SGD5948 | 59.13 | 35.31 | 48 | in. | 535 | 243 | 12 (18" X 26") | 1.5 AMPS |
| | 1502 | 897 | 1219 | mm. | | | | |
| SGD7742 | 77.13 | 35.31 | 42 | in. | 685 | 311 | 12 (18" X 26") | 1.5 AMPS |
| | 1959 | 897 | 1067 | mm. | | | | |
| SGD7748 | 77.13 | 35.31 | 48 | in. | 715 | 324 | 16 (18" X 26") | 1.5 AMPS |
| | 1959 | 897 | 1219 | mm. | | | | |

- If a GFCI circuit is required, a GFCI Breaker MUST be used instead of GFCI receptacle.
- Due to continuing engineering improvements, specifications are subject to change without notice.



The Signature of Quality®

FEDERAL INDUSTRIES

A Standex Company

215 Federal Avenue Belleville, Wisconsin 53508-9201

Phone: 800-356-4206

Fax: 608-424-3234

Email: Geninfo@Federalind.com

Website: Federalind.com